



# WunderCovers Highway Safety Group

[info@wundercovers.com](mailto:info@wundercovers.com)  
[www.WunderCovers.com](http://www.WunderCovers.com)



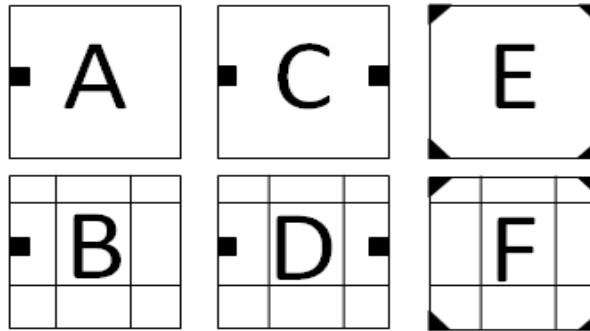
Standard Single Tray Product	Total Tray size (cm)	Access Opening ID cm [in]*	Frame Depth (cm) w/o cross Beam	Tray Type	Number of trays	Removable Cross Beams, Load Bearing or Flush Load Transfer	Tray Style
WC30-30-10D-7.5F-P	30x30	25.3 [9.9]	10	Pavers	1	0	A
WC30-30-10D-7.5F-M				Concrete			B
WC45-45-10D-7.5F-P	45x45	40.5 [15.9]	10	Pavers	1	0	C
WC45-45-10D-7.5F-M				Concrete			D
WC50-75-10D-7.5F-P	50x75	40x65 [15.7x25.5]	10	Pavers	1	0	C
WC50-75-10D-7.5F-M				Concrete			D
WC60-60-10D-7.5F-P	60x60	56.2 [22.1]	10	Pavers	1	0	E
WC60-60-10D-7.5F-M				Concrete			F
WC60-90-10D-7.5F-P	60x90	50x80 [19.6x31.5]	10	Pavers	1	0	E
WC60-90-10D-7.5F-M				Concrete			F
WC70-70-10D-7.5F-P	70x70	66.2 [26]	10	Pavers	1	0	E
WC70-70-10D-7.5F-M				Concrete			F
WC75-105-10D-7.5F-P	75x105	65x95 [25.5x37.4]	10	Pavers	1	0	E
WC90-90-10D-7.5F-P	90x90	80 [31.5]	10	Pavers	1	1	E
WC90-90-10D-7.5F-M				Concrete			F
WC90-90-10D-7.5SF-P		84 [33]		Pavers		0	E
WC100-100-10D-7.5F-P	100x100	90 [35.4]	10	Pavers	1	1	E
WC100-100-10D-7.5F-M				Concrete			F
WC100-100-10D-7.5SF-P		94 [37]		Pavers		0	E
<b>WC[Width-Length]-[Depth]-[Flange]-[Type]</b>							

Custom sizes are available

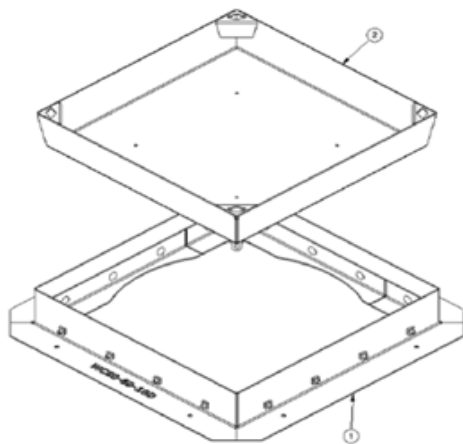
Stainless steel models are available

\* ID for round shapes & corners, see drawings for rectangular openings

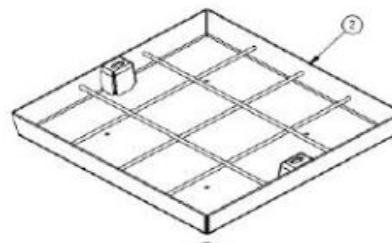
### Tray Styles



Style E



Style D





# WunderCovers Highway Safety Group



Standard Product	Multi Tray Product	Total Tray size (cm)	Access Opening ID cm [in]*	Frame Depth (cm) w/o cross Beam	Tray Style	Number of trays	Removable Cross Beams, Load Bearing or Flush Load Transfer	Tray Style
WC105-130-10D-7.5F-P		105x130	95x120 [37.4x47.2]	10	Pavers	2	1	E
WC105-160-10D-7.5F-P		105x160	95x150 [37.4x59]	10	Pavers	2	1	E
WC105-195-10D-7.5F-P		105x195	95x150 [37.4x72.8]	10	Pavers	3	2	E
WC110-180-10D-7.5F-P		110x180	100x170 [39.3x70.8]	10	Pavers	3	2	E
WC130-130-10D-7.5F-P		130x130	120 [47.2]	10	Pavers	4	3	E
WC165-190-10D-7.5F-P		165x190	155x180 [61x70.8]	10	Pavers	6	5	E
<b>WC[Width-Length]-[Depth]-[Flange]-[Type]</b>								

Custom sizes are available                      Stainless steel models are available  
 \* ID for round shapes & corners, see drawings for rectangular openings

